



Industrial Acoustic Hood - 23dB
Accessories



Suitable for use with GAI-Tronics telephones, Page/Party® equipment and Elemecplus/Elemec3 external access panels

- General Purpose Resin MAT filament outer shell
- Perforated polypropylene interior with 50mm acoustic insulation
- 23dB Mean noise reduction
- 316 Stainless Steel telephone mounting plate: optional sizes
- Fire resistant: BS476 Part 7 Class 1 Surface Spread of Flame
- Up to 60kgs of equipment can be carried
- 316 Stainless Steel or galvanized steel mounting brackets
- Wall or post mounting
- 316 Stainless Steel shelf with cable entry
- Marine grade materials

Accessories

Industrial Acoustic Hood - 23dB Accessories

TECHNICAL SPECIFICATIONS

Outer Shell:

General Purpose Resin continuous filament MAT

Fire Resistance:

BS476 Part 7 Class 1 Surface Spread of Flame

Shelf:

316 (Marine) grade Stainless Steel, powder coated white
depth 165mm with easy cable entry

Acoustic Insulation:

50mm Tissue faced non hygroscopic Rockwool RW3,
Density 60kg/m³

Insulation Liner:

White Perforated Polypropylene, 3mm thickness

Telephone Mounting Plate (Gear Plate):

316 (Marine) grade Stainless Steel, 2mm thickness,
powder coated white

Mounting Brackets (Straps):

Galvanised Mild Steel - Standard

316 (Marine) grade Stainless Steel 6mm – Option

For post mounting, see brochure B207

Colour:

Yellow (RAL 1006) as standard. Other options available

Weight:

Approx 25 kg

ORDER CODE

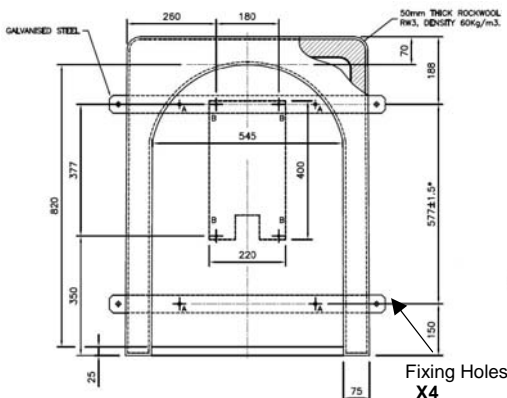
	Mounting Plate: Stainless Steel (316)	Mounting Bracket: Galvanised Steel	Mounting Bracket: Stainless Steel (316)	Internal Shelf
To be used with Auteldac 4 telephones and Page/Party® units				
988-60-0002-00*	✓	✓		✓
988-60-0002-20*	✓		✓	✓
988-60-0002-40*	✓		✓	✓
Larger mounting plate: To be used with Drillers Intercom stations, SMART Series Page/Party® units, Elemec external access panels and Auteldac 4 telephones				
988-60-0002-50*	✓		✓	✓
988-60-0002-60*	✓	✓		✓

* colour	yellow	red	blue	grey	orange
	1	2	3	4	5

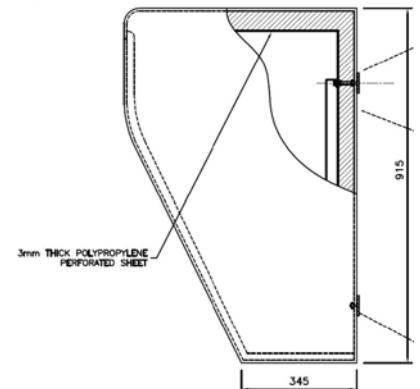
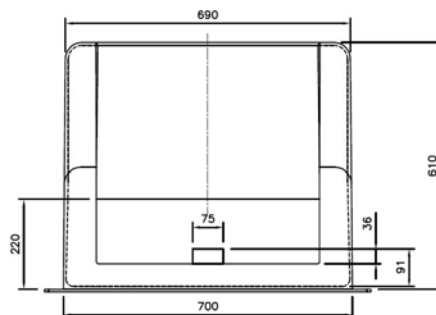
DIMENSIONS

- H915 x W700 x D610 mm
- Fixing: W740 x H577 mm
- Fixing holes are 12mm diameter
- Mounting plate for 00* and 20* versions:
W220mm x H404mm
- Mounting plate for 50* and 60* versions:
W426mm x H610mm
- Mounting plate for 40* versions:
W220mm x H600mm

NOTE: 988-60-0002-40* - Larger Mounting Plate
W220mm x H600mm for NORSOK Requirements



(Mounting plate dimensions shown on this diagram are for 00* and 20* versions)



GAI-Tronics® - United Kingdom - Tel: +44 (0)1283 500500 - Fax: +44 (0)1283 500400 - www.gai-tronics.co.uk
 GAI-Tronics® (Corporate) - USA - Tel: +1(610) 777 1374 - Toll Free: 800 492 1212 - Fax: +1(610) 796 5954 - www.gai-tronics.com
 GAI-Tronics® S.r.l - Italy - Tel: +39 02 48601 460 - Fax: +39 02 4585 625 - www.gai-tronics.co.uk
 GAI-Tronics® - Malaysia - Tel: +60 3 8945 4035 - Fax: +60 3 8945 4675 - www.gai-tronics.co.uk
 GAI-Tronics® Austdac - Australia - Tel: 011 61 28 851 5000 - Fax: 011 61 29 899 2490 - www.austdac.com.au
 An ISO 9001, ISO 14001, OHSAS 18001 Registered Company
 The policy of GAI-Tronics is one of continuous improvement; therefore the company reserves the right to change specifications without notice.