




**EExd Weatherproof Sounder**  
Accessories



- **Zone 1, Zone 2 and Safe Area use**
- **Up to 115dBA output**
- **EExd IIC T5** 
- **CENELEC approved**
- **BASEEFA certified**
- **IP66 and IP76**
- **All GRP corrosion free flamepaths**
- **ATEX approved ExII2GD**
- **GOST R approved**
- **27 tones, user selectable**
- **Tones comply with UKOOA/PFEER guidelines**
- **Any two tones may be switched via the external voltage supply**
- **Tones may be programmed to customer specification**
- **Retained stainless steel cover screws**
- **Optional Exe terminal chamber**

This range of light weight all GRP, flameproof sounders intended for use in potentially explosive atmospheres has been designed with high ingress protection to cope with the harsh environmental conditions found offshore and onshore in the oil, gas and petrochemical industries.

The flamepaths, flare and the body, are manufactured completely from a UV stable glass reinforced polyester.

Stainless steel screws and sinter are incorporated thus ensuring a corrosion free product. A tapered flamepath is used to overcome the problems of assembly of parallel spigot flamepaths.

An optional Exe terminal chamber is available.

An uncertified version is available for use in non-explosive atmospheres.

## EExd Weatherproof Sounder Accessories

### TECHNICAL SPECIFICATIONS

**Certification:**

CENELEC: EN50014, 18,19  
 BASEEFA Cert. No.:  
 BAS00ATEX2097X, EExd IIC  
 Zones 1 and 2  
 GOST 'R' :1 Exd IIC T4 & 1 Exde IIC T4  
 Russian Fire Alarm (VNIPO) Approved

**Material:**

Body and horn in anti-static, UV  
 stable, glass reinforced polyester.  
 Swivel bracket in stainless steel.  
 Captive cover screws in stainless  
 steel

**Finish:**

Body and horn, natural black or epoxy  
 paint coated

**Sound Output:**

115dB(A)  $\pm$  3dB (A) Typical value  
 (tone dependant)

**Weight:**

6.0kg approx. dependent on model

**Operating Temperature:**

-20°C to +50°C

**Ingress Protection:**

IP66 and IP67

**Voltage:**

See below (ordering requirements)

**Current Consumption:**

240V AC	62mA
120V AC	124mA
24v DC	380mA

**Terminals:**

4 x 2.5mm<sup>2</sup> (AC), 6 x 2.5mm<sup>2</sup> (DC)

**Mounting:**

Stainless steel bracket with ratchet  
 facility

**Labels:**

Duty and tag labels optional

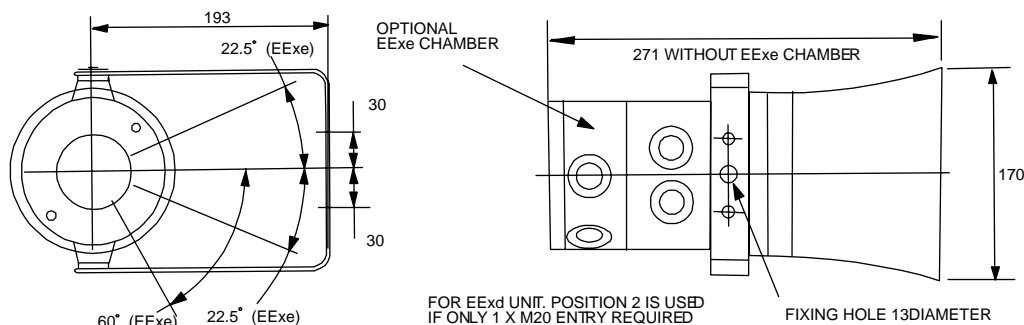
**Cable Entries:**

See below (ordering requirements)

**Tone Selection:**

27 user selectable tones including,  
 PFEER/UK00A tones

### DIMENSIONS



### ORDERING REQUIREMENTS

Part Number	Certification	Voltage	Glands	Colour
100-02-0102-000	ATEX	240Vac	20mm x 1	Natural Black
100-02-0651-001	GOST R	24V dc	20mm x 1	Red
Please call for other options				

