



- Push to talk (no handset)
- Rugged construction
- Wide range of operating temperatures
- Easy installation: Power lead and single audio pair only
- CE Marked

TYPICAL INSTALLATIONS

- Bottling plants
- Security Gates
- Warehouse facilities
- Railroad yards
- Production/assembly lines
- Automotive plants
- Light industry
- Port Container Cranes

For over 50 years, GAI-Tronics equipment has performed under the most severe operating conditions - often in areas where traditional intercoms would fail.

EZ Page is a common-talk communication system designed for a wide variety of rugged applications. The system is simple to use with push-to-talk/release-to-listen (PTT/RTL) operation, and will withstand the harsh effects of the environment.

The station consists of a rugged cast-aluminium enclosure that houses the electronics and loudspeaker, which also functions as the microphone.

The EZ Page system is available as a Common line. The Common Line system allows the user to call everywhere simultaneously.

All stations are on a common-talking path and are normally in listen mode until a user presses the PTT/RTL transmit button. After the page is announced (over all stations), other users hear the conversation over the station speaker and may join the conversation by pressing the PTT/RTL button.

The EZ Page product fills a market need for reliable, easy-to-use communications in environmentally challenging conditions.

TECHNICAL SPECIFICATIONS (please refer to technical manual for full product details)

Enclosure:

Cast Aluminium (colour blue, RAL 5017)

Speaker Power Rating: 8W nominal

Sound output:

113dBA @ 1m, full rated output

Power Supply:

230Vac and 115Vac models available

Signal cabling:

Single twisted pair (except GC-AC5-A)

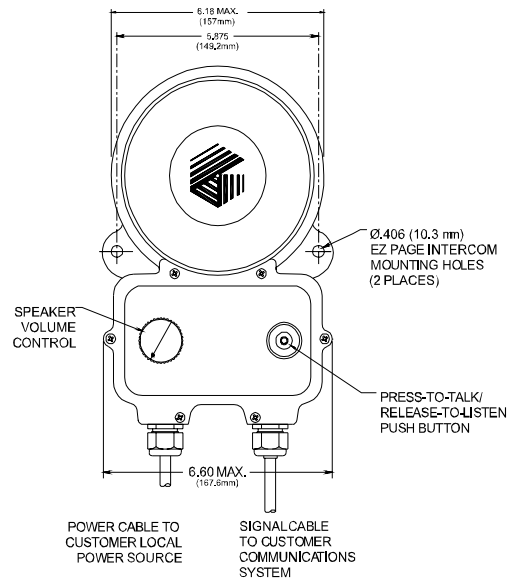
Max units per system: 20

Temperature Range (operating and storage):

-40° C to +70° C

Unit Weight (all models): 4.95kg

Dimensions: 284.5 x 177 x 138.4 mm



APPROVALS



This mark indicates compliance with the following directives;

73/23/EC Low Voltage Directive
89/336/EEC EMC Directive



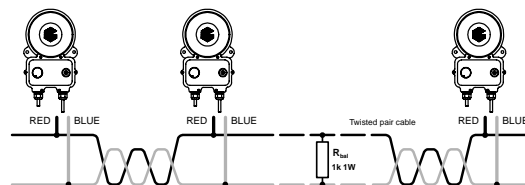
The GAI-Tronics Quality Management System has been approved by LRQA to ISO9001-2000. Certificate No. 861888

ORDER CODES

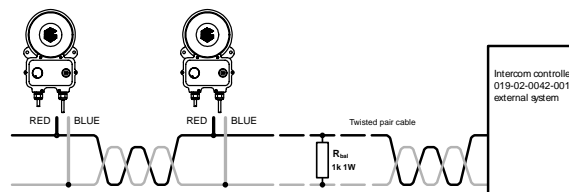
GC-AC3	230Vac, single pair connection
GC-AC4	115Vac, single pair connection
GC-AC5-A	230Vac, additional PTT control (see below).

For USA approved EZ Page: See Brochure 990201

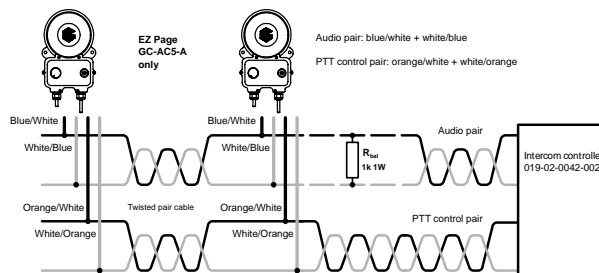
CONNECTION OPTIONS



System Interconnect, EZ Page to EZ Page. Balanced.



System Interconnect, EZ Page to other system, or GAI-Tronics intercom controller. Balanced.



System Interconnect, EZ Page to GAI-Tronics intercom controller with AMI interface. Balanced.



GAI-Tronics, UK - Tel: +44 (0)1283 500500 - Fax: +44 (0)1283 500400 - www.gai-tronics.co.uk
 GAI-Tronics Corporation, USA - Tel: +(1)(610) 777 1374 - Toll Free: 800 492 1212 - Fax: +(1)(610) 775 6540 - www.gai-tronics.com
 GAI-Tronics S.r.l., Italy - Tel: +39 02 48601 460 - Fax: +39 02 4585 625
 GAI-Tronics Corporation, Malaysia - Tel: +60 3 8945 4035 - Fax: +60 3 8945 4675
 An ISO9001 Registered Company