



GAI-TRONICS
A division of Hubbell Limited

DAC Telephony

Bedlam Tonecaller

Accessories



- Telephone line powered (no mains voltage required)
- Greatly reduced installation costs
- Penetrating 105dBa output
- Volume control
- Available for hard wiring (screw or I.D.C.)
- Waterproofed to IP66
- REN of 1.5
- Maintenance free operation

THE BEDLAM TONECALLER

This line powered 105 dBA unit has been designed for installation in large offices or factory areas with high ambient noise levels, and replaces the traditional mains voltage bell. The unit is waterproofed to IP66 and is capable of operating in adverse conditions.

CONSTRUCTION

The Bedlam loud tonecaller is designed to replace the traditional mains bell and is powered by the PABX and PSTN line voltage (60-100 volts A.C.). A variable output (85-105dBA) is possible by means of a potentiometer located within the unit.

The Bedlam loud tonecaller is immune to 'bell tinkle' on the UK PSTN telecom systems.

Suitable for hardwiring using 5-7mm O/D cable via screw terminal block or I.D.C. Connector 238A

SPECIFICATIONS

Input Voltage:

60-100 volts A.C.

Output SPL:

85-105dBA nominal at 1 metre

Volume Control:

Via variable potentiometer

Frequency:

120Hz modulated buzz

Waterproofing:

IP 66 as standard

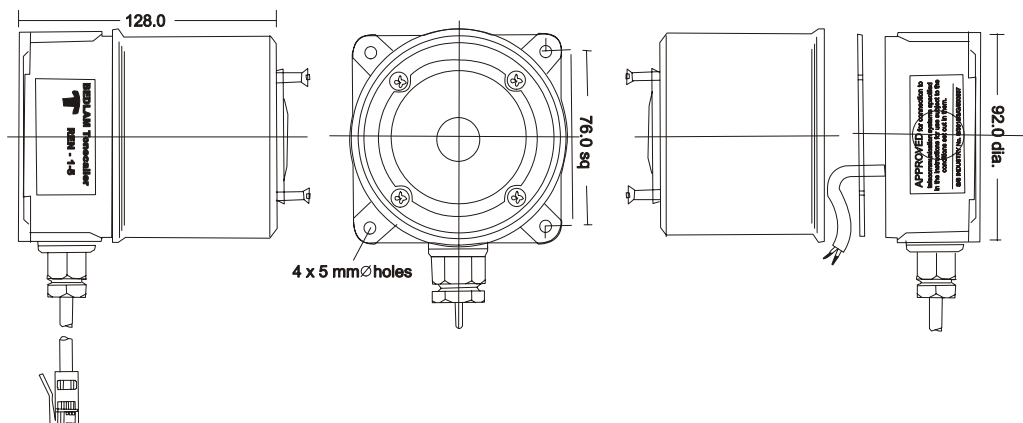
Colour:

Yellow case with black base

ORDER CODE

Tonecaller

100-02-7006-000



elemec
Specialised
Systems
Communications



GAI-Tronics, UK - Tel: +44 (0)1283 500500 - Fax: +44 (0)1283 500400 - www.gai-tronics.co.uk
GAI-Tronics Corporation, USA - Tel: +1(610) 777 1374 - Toll Free: 800 492 1212 - Fax: +1(610) 775 6540 - www.gai-tronics.com
GAI-Tronics S.r.l, Italy - Tel: +39 02 48601 460 - Fax: +39 02 4585 625
GAI-Tronics Corporation, Malaysia - Tel: +60 3 8945 4035 - Fax: +60 3 8945 4675
An ISO9001 Registered Company
The policy of GAI-Tronics is one of continuous improvement, therefore the company reserves the right to change specifications without notice.

B168-1-0704B/CN21758